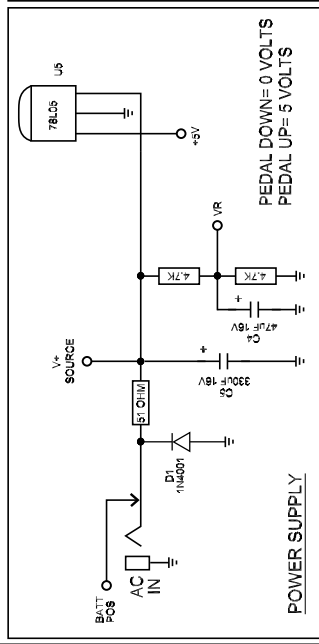
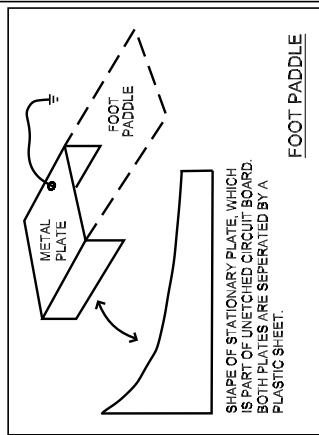
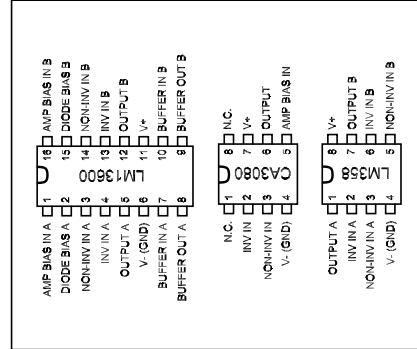


**NOTES:**

1. ALL RESISTORS 1/4 WATT METAL FILM UNLESS NOTED OTHERWISE.
2. FILM TYPE CAPS 100V UNLESS NOTED OTHERWISE.
3. MOVABLE PLATE CONNECTED TO GROUND WITH A WIRE CONNECTED TO THE GROUND CONNECTION AT THE INPUT JACK.
4. MARKINGS ON PCB ARE INCLUDED ON THIS SCHEMATIC WHERE POSSIBLE.



**DOD Electronics**

**FX-17 WAH/VOLUME PEDAL**

DRAWN BY PAUL MAROSSY 9/27/05

NOTE: THIS SCHEMATIC WAS DERIVED FROM A HAND-DRAWN SCHEMATIC SENT TO ME BY A THIRD PARTY. USE AT YOUR OWN RISK.