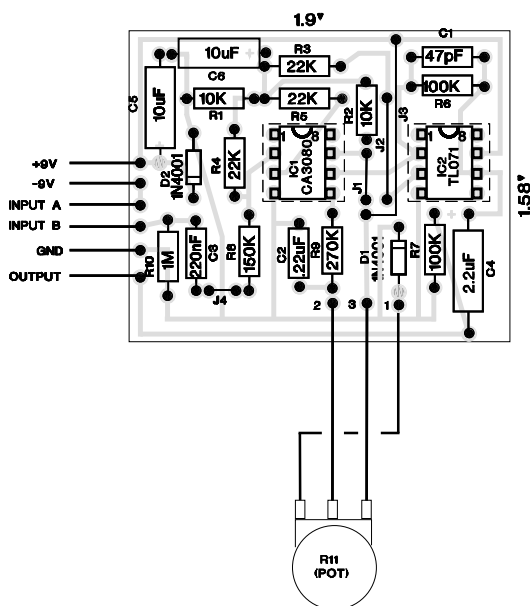


# Anderton Volume Pedal Retrofit PCB Layout

This sheet is designed for use  
with Press-N-Peel STYLE toner-based  
iron-in transfers

PCB Layout by Paul Marossy 9/19/2004



## COMPONENTS:

R1,R2	10K
R3,R4,R5	22K
R6,R7	100K
R8	150K
R9	270K
R10	1M
C1	47pF, CERAMIC 16V
C2,C3	0.22uF MYLAR FILM
C4	2.2uF, ELECTROLYTIC
C5,C6	10uF, ELECTROLYTIC
D1,D2	1N4001
J1,J2,J3	JUMPER
IC1	CA3080
IC2	TL071 OR SIMILAR
INPUT JACK	1/4" STEREO, OPEN CIRCUIT
OUTPUT JACK	1/4" MONO, OPEN CIRCUIT

## NOTES:

1. ALL CAPS 16V MINIMUM
2. ALL RESISTORS 1/4 WATT
3. ELECTROLYTIC CAPS AXIAL TYPE

