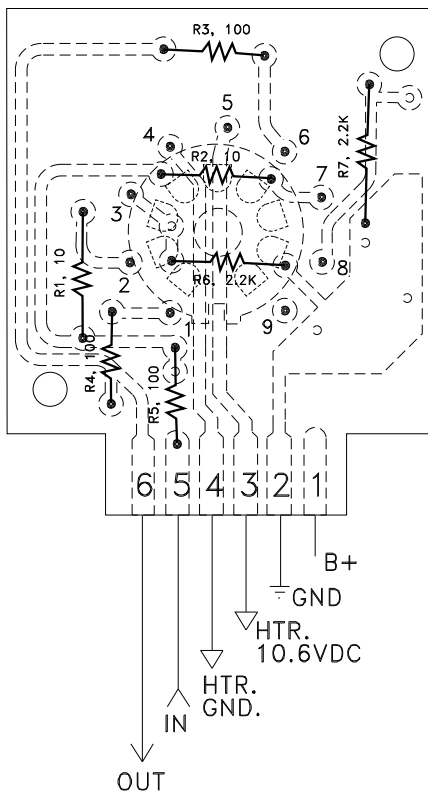


SCHEMATIC



PARTS LIST:

R1	10 OHM, 1/4W
R2	10 OHM, 1/4W
R3	100 OHM, 1/2W
R4	100 OHM, 1/2W
R5	100 OHM, 1/4W
R6	2.2K, 1/2W
R7	2.2K, 1/2W

TS1 9-PIN PC MOUNT
TUBE SOCKET

OTHER:

PCB BOARD KIT
PLASTIC ENCLOSURE –
50mmX50mmX20mm

SEYMOUR DUNCAN
NORMAL PREAMP MODULE

NO SCALE