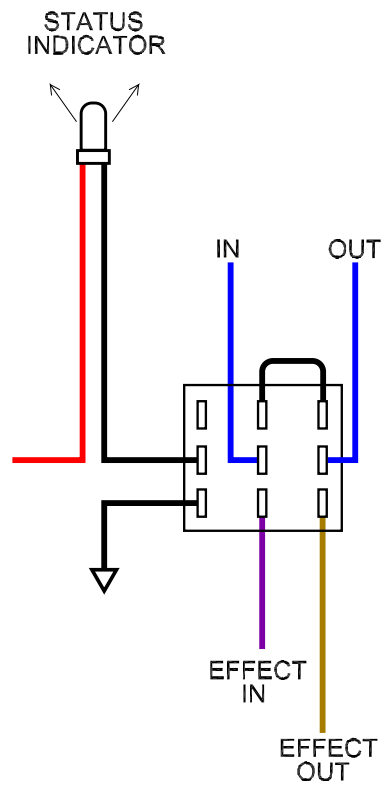
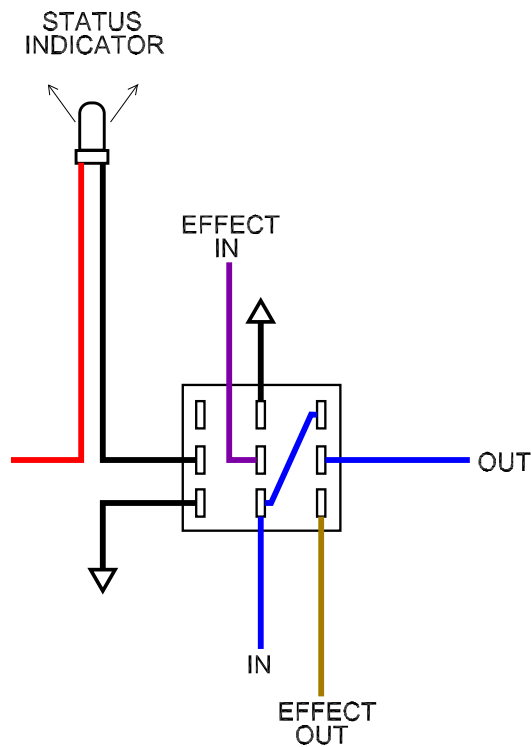


TRUE BYPASS #1
 USING DPDT SWITCH



TRUE BYPASS #2
 USING 3PDT SWITCH
 (DPDT SWITCH SIMILAR)



**GROUNDING CIRCUIT INPUT
 TRUE BYPASS**
 USING 3PDT SWITCH