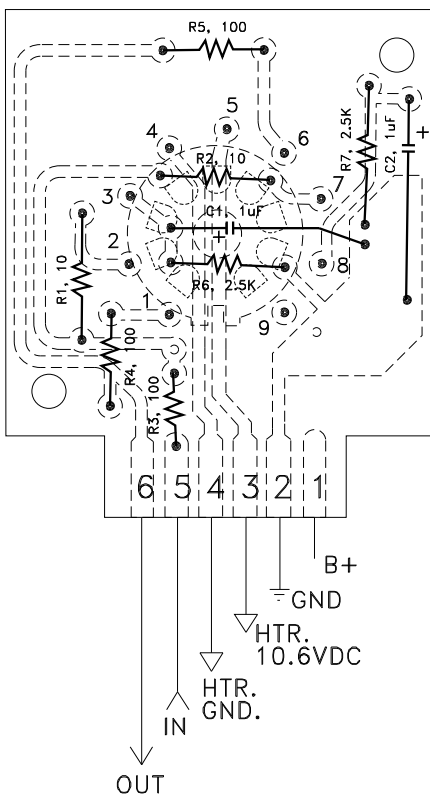


SCHEMATIC



PARTS LIST:

R1	10 OHM, 1/4W
R2	10 OHM, 1/4W
R3	100 OHM, 1/4W
R4	100 OHM, 1/2W
R5	100 OHM, 1/2W
R6	2.5K, 1/2W
R7	2.5K, 1/2W

C1,  
C2

1uF, 50V  
ELECTROLYTIC

TS1

9-PIN PC MOUNT  
TUBE SOCKET

OTHER:

PCB BOARD KIT  
PLASTIC ENCLOSURE -  
50mmX50mmX20mm

SEYMOUR DUNCAN  
CLASSIC PREAMP MODULE

NO SCALE