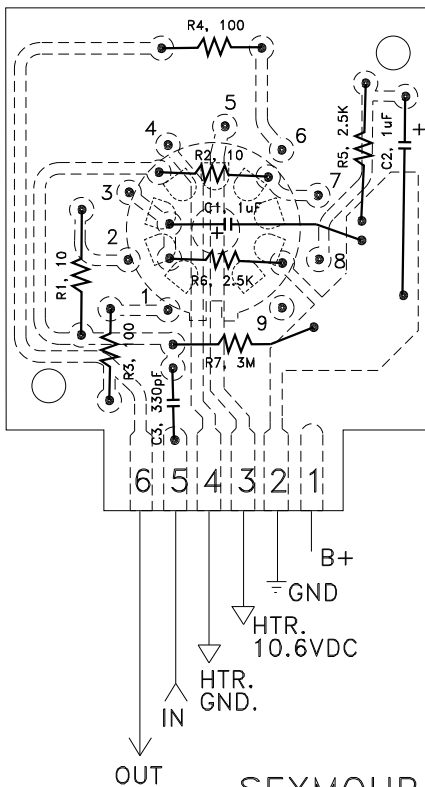


SCHEMATIC



PARTS LIST:

R1	10 OHM, 1/4W
R2	10 OHM, 1/4W
R3	100 OHM, 1/4W
R4	100 OHM, 1/2W
R5	2.5K, 1/2W
R6	2.5K, 1/2W
R7	3M, 1/2W
C1,	1uF, 50V
C2	ELECTROLYTIC
C3,	330pF, 50V POLYSTYRENE
TS1	9-PIN PC MOUNT TUBE SOCKET

OTHER:

PCB BOARD KIT
PLASTIC ENCLOSURE -
50mmX50mmX20mm

SEYMOUR DUNCAN LOW-CUT
CLASSIC PREAMP MODULE

NO SCALE